



SERIES 1/A WINDLOCK INSTALLATION INSTRUCTIONS

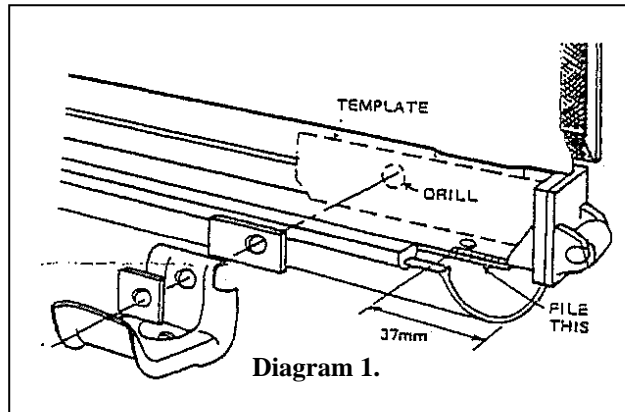
Please use in conjunction with the Series 1/A installation instructions supplied with the door

Except steps 6 and 7 which you must substitute with the following steps

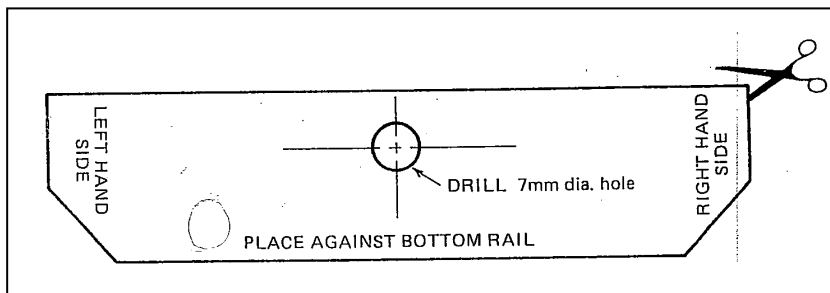
AS YOU WILL BE WORKING ON AN UNROLLED CURTAIN WE RECOMMEND THAT YOU CARRY OUT THE INSTALATION ON A CALM DAY

Step 6:

- (a) Bottom rail: With the woodchock securely in position, hold the door curtain firmly against the wall taking particular care not to cause damage to the Nylofelt running strips. File away a small section of the bottom rail (both ends of the door) as shown by the shaded areas in diagram 1.

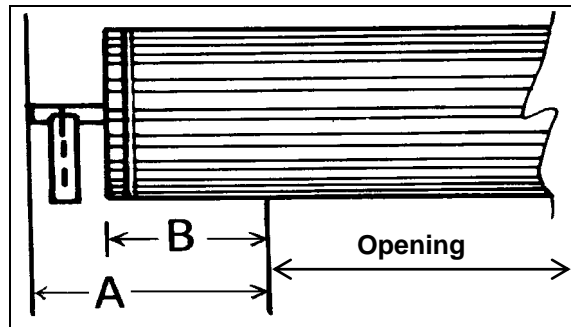


- (b) Use the template as a guide to drill a 7mm diameter hole through the bottom rail and curtain (at each end), as shown in Template 1.



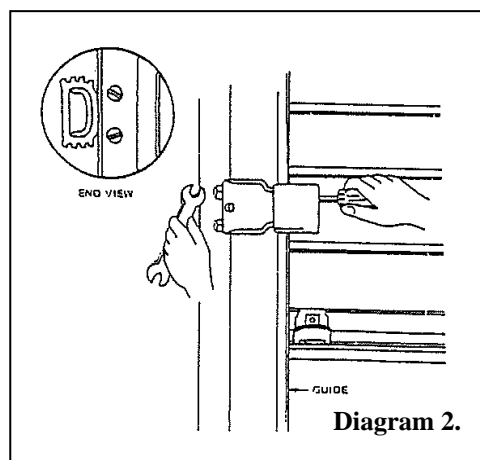


Step 7: (c) Special attention must be given to centering the curtain. An equal overlap (measurement B) is crucial to the proper operation of a high wind door.



	A	B
Timber/Steel	135mm	65mm
Masonry	165mm	95mm

- (d) Check the guides are the correct length, i.e. level with the top of the bracket. In reduced headroom positions, guides should be a maximum of 35mm above the brackets.
- (e) Cut the bottom of the guides if necessary.
- (f) Keeping control of the curtain, remove the woodchock.
- (g) Position the guide against the wall, then lead the curtain into the top of the guide past the loosely secured headstop.
- a) Reposition the chock and secure the headstop by placing a long handled screwdriver between the curtain and the guide. Hold the screw heads in place with the screwdriver while tightening the headstop nuts (Diagram 2).



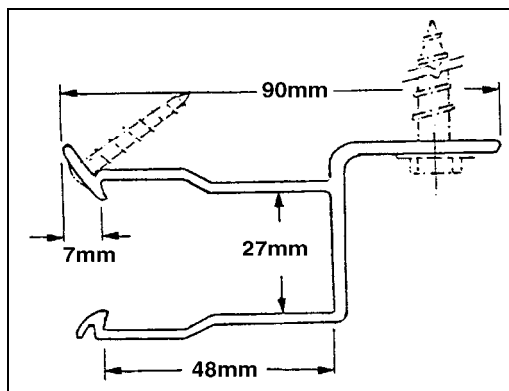
WARNING: Headstop MUST be tightened securely



- b) Run the door down 1500mm and adjust the door until it is running freely.
- c) Any unevenness or irregularities (i.e. twisting & bowing) in the opening structure will require the guides to be packed to create a level surface to fix to.

N.B: Failure to do this will potentially damage the door and will void the warranty if the installation is found to be at fault.

- d) **Fix guides at the top fixing point only to allow the guides to pivot.**
- e) Bring the door half way down.
- f) Adjust the guides so the door is running freely (Repeat step c if required). Fix the guides in the centre position.
- g) Run the door to the floor.
- h) Adjust the guides so the door is running freely (Repeat step c if required). Fix the guides in the bottom position.
- i) Check the door is running freely through the full operation and the clips run within the front lip.
- j) Affix guides off fully at 500mm centres on the flat section of the guide.
- k) Drill screw holes through the front edge of the guide and fix using 10 gauge 16 or 24 TPI Wafer head screws. (As per diagram below) at approximately 250mm centres.

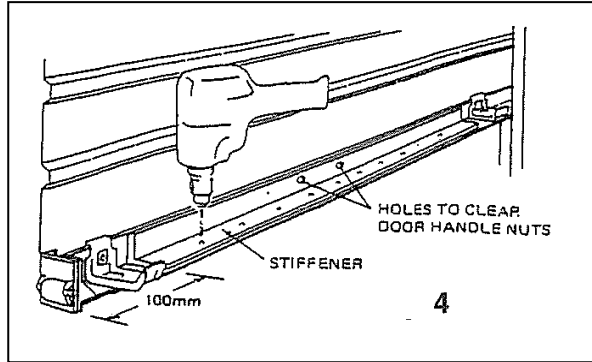


N.B: Failure to do this will cause the door to fail. The warranty will be voided if the installation is found to be at fault.

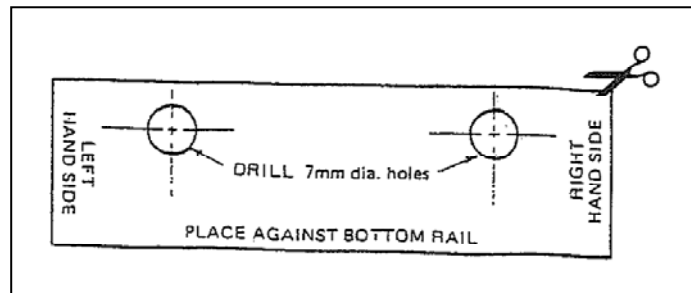
- l) Place the bottom rail stiffener centrally onto the existing bottom rail, ensuring there is a minimum of 100mm clearance from each end of the door curtain. Cut to size if necessary (equally off both ends).



- m) Using the template below, drill 4mm holes through the bottom rail (take care not to drill through the weatherstrip).



- n) Secure all holes using 5mm self tapping screws.



- o) You may find that the extra weight of the stiffener may make the door harder to lift and tend to drop. To increase the tension follow all of the steps in the (To adjust spring tension" section of the Roll A Door installation instructions.

Now continue with Steps 8, 9 and 10 in the Roll A Door Installation Manual

CORRECT INSTALLATION OF THE HIGH WIND GUIDES IS CRITICAL. NO GUARANTEE WILL BE GIVEN OR RESPONSIBILITY ACCEPTED BY THE MANUFACTURERS FOR THE PERFORMANCE OF THE DOOR IN WIND LOADING SITUATIONS IF THE GUIDES ARE NOT INSTALLED AS INSTRUCTED, OR IF THE STRUCTURE AND FIXINGS ARE INADEQUATE.